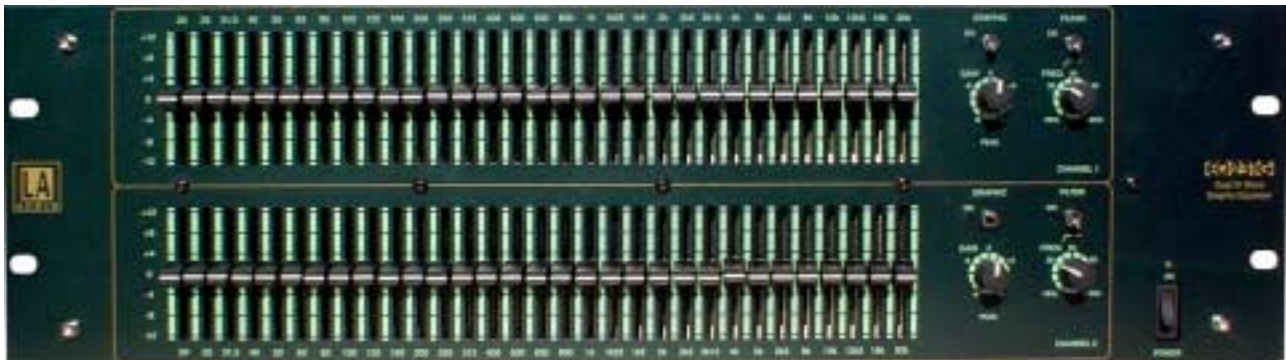




Data Sheet.

The EQ231G is a dual 31 band 1/3 Octave Graphic Equaliser in a robust 3U high case.



31 band pass filters based around precision minimum phase active RC networks deliver superior dynamic range and signal to noise performance. 45mm long throw faders provide maximum sensitivity and control of 12dB cut and boost at ISO centre frequencies from 20Hz to 20KHz.

The unit also incorporates a variable High Pass Filter with bypass switch, input level control with clip LED and a master bypass switch. All switches have LED indicators.

The EQ231G has electronically balanced inputs and outputs on XLR. An optional transformer output module is available, featuring Active Distortion Cancellation circuitry that reduces to negligible levels the LF distortion inherent in passive transformer designs.

Power relays ensure silent power on/off and also automatic bypassing of the unit when switched off.

The EQ231G is built in accordance with Electro- Magnetic Compatibility (EMC) and Low Voltage Directive (LVD) regulations encompassed within the European 'CE' mark. This guarantees problem free integration into audio systems.

SPECIFICATIONS

ELECTRICAL

Frequency response:	20Hz to 20kHz (+0, -1dB)
Input impedance:	20k Ω balanced
Output impedance:	<100 Ω electronic balancing, <20 Ω transformer balancing
Output load impedance:	600 Ω to ∞
Max output level:	+20dBu, 600 Ω load, 1kHz
THD:	0.003%, 600 Ω load, 1kHz, +4dBu
Center frequencies (Hz):	20, 25, 31.5, 40, 50, 63, 80, 100, 125, 160, 200, 250, 515, 400, 500, 630, 800, 1k, 1.25k, 1.6k, 2k, 2.5k, 3.15k, 4k, 5k, 6.3k, 8k, 10k, 12.5k, 16k, 20k
High pass filter:	Variable from 16 to 160Hz, 24 dB/octave Butterworth
Peak indicator:	2dB before clipping
Power consumption:	15VA, 115/230VAC, 50-60Hz

PHYSICAL

Input connectors:	XLR 3 pin (pin 2 hot)
Output connectors:	XLR 3 pin (pin 2 hot)
Power connection:	Detachable lead, IEC 3 pin socket
Dimensions (mm):	483(19") W, 230 (9.2") D, 135 (5.25") H
Weight:	5.5kg, 12lbs
Shipping weight:	6.9kg, 15lbs
Temperature range:	Operating 0 $^{\circ}$ to +50 $^{\circ}$ C, storage -30 $^{\circ}$ to +75 $^{\circ}$ C

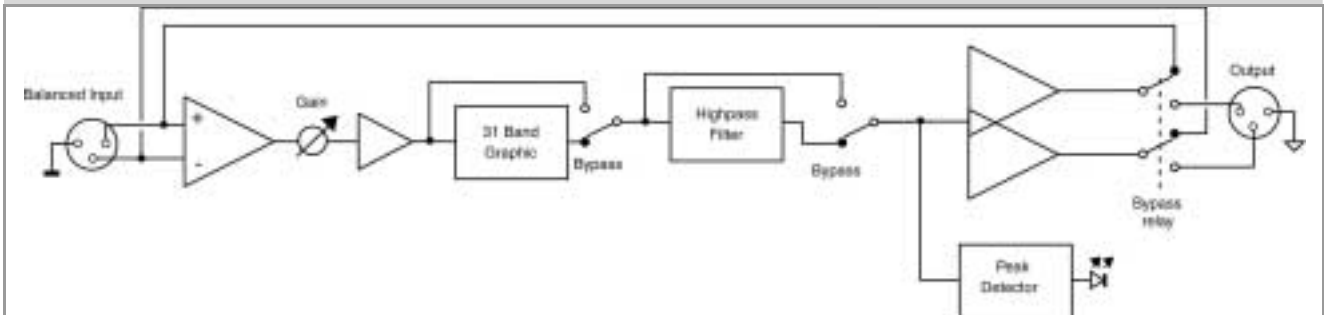
ARCHITECTS & ENGINEERS SPECIFICATIONS

The Equaliser shall be a dual 31 band 1/3 Octave Graphic Equaliser with variable input level control, variable High Pass Filter, Bypass switches and Peak LED indicator for each channel.

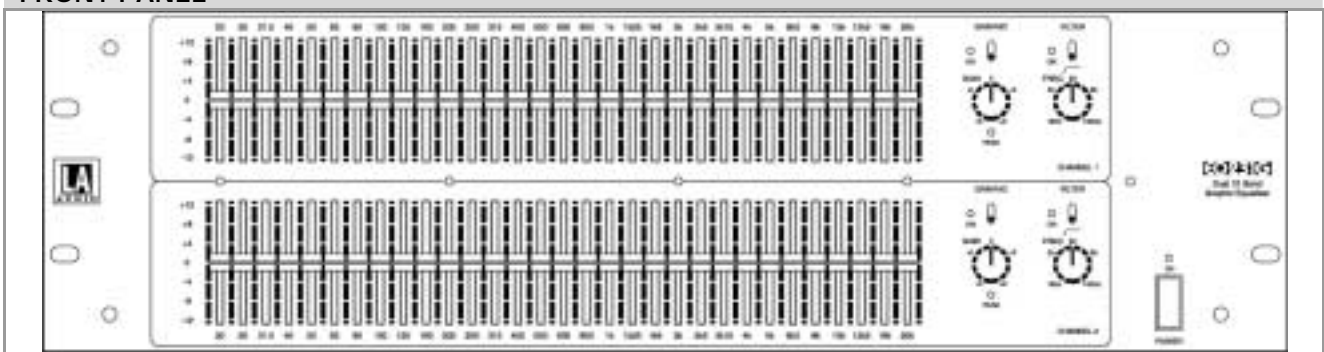
The Equaliser shall provide 12dB of cut and boost at 31 ISO centre frequencies between 20Hz and 20kHz. The unit shall have 45mm faders. The Equaliser shall be fitted with power relays to allow soft power on/off and automatic bypassing when the unit is switched off.

The Equaliser shall be constructed in a 3U case and built in accordance with the directives encompassed within the 'CE' regulations and so marked.

BLOCK DIAGRAM



FRONT PANEL



REAR PANEL



In keeping with our policy of continuous improvement LA Audio reserves the right to alter specifications without prior notice. Manufactured in the UK by LA Audio, 1 Stable Court, Herriard Park, Hants RG25 2PL. Tel: +44 (0)1256 381944 Fax: +44 (0)1256 381906 Web: www.laaudio.co.uk email: info@laaudio.co.uk